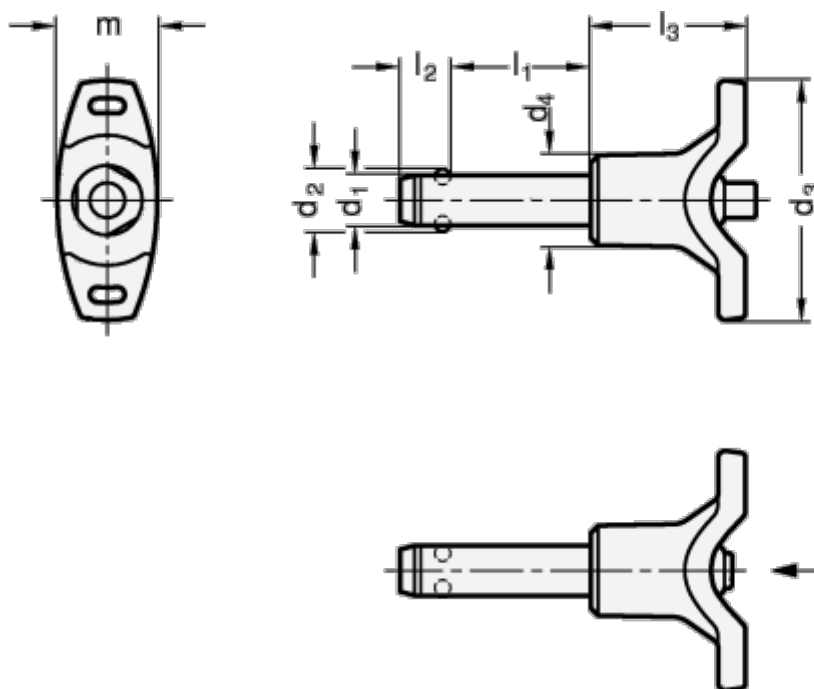


Article number: 201138515

Description: E+G stainless steel-ball lock pin
GN 113.8-5-15

Measures



$d_1 = 5$
 $d_2 = 5.5$
 $d_3 = 40$
 $d_4 = 13.5$
 $l_1 = 15$
 $l_2 = 6.0$
 $l_3 = 25.0$
 $m = 15.5$

Resilience (N) = 24